

NBG-12LR and NBG-12LRA

Dual-Action Agent Release Stations



Releasing Panels

General

The NBG-12LR and NBG-12LRA are Agent Release Stations designed for use with NOTIFIER Fire Alarm Control Panels with releasing capabilities and RP Series Releasing Systems.

Features

- Non-coded, dual-action operation.
- Made with durable polycarbonate.
- Optional surface backbox.

NBG-12LRA INCLUDES:

- Abort switch.
- Power-on indication.
- Released indication.
- Manual release (dual-action).

NBG-12LR INCLUDES:

- Dual-action release only.

Applications

The NBG-12LRA and NBG-12LR are ideal for areas such as clean rooms and computer rooms where a chemical agent is used to extinguish a fire.

Product Line Information

NBG-12LRA: Agent release station with abort switch, Release LED, Normal LED.

NBG-12LR: Dual-action agent release station.

SBA-10: Surface backbox for NBG-12LRA, metal. Dimensions 4.5" (11.43 cm) W x 8.188" (20.8 cm) L x 1.375" (3.49 cm) D.

SB-10: Surface backbox for NBG-12LR, metal. Dimensions 4.125" (10.48 cm) W x 5.5" (13.97 cm) L x 1.375" (3.49 cm) D.

SB-IO: Surface backbox for NBG-12LR, plastic.

BG12TR: Optional trim ring for semi-flush mounting.

Agency Listings and Approvals

In some cases, certain modules may not be listed by certain approval agencies, or listing may be in progress. *Consult factory for latest listing status.*

UL/ULC Listed: S692

MEA Listed: 67-20-E

FM Approved

CSFM: 7150-0028:0199

U.S. Coast Guard: 161.002/23/3 (AFP-200: NBG-12LRA), 161.002/42/1 (NFS-640: NBG-12LRA), 161.002/27/3 (AFP1010/AM2020).

FDNY: #6058 (NFS2-3030), #6038 (NFS2-640)

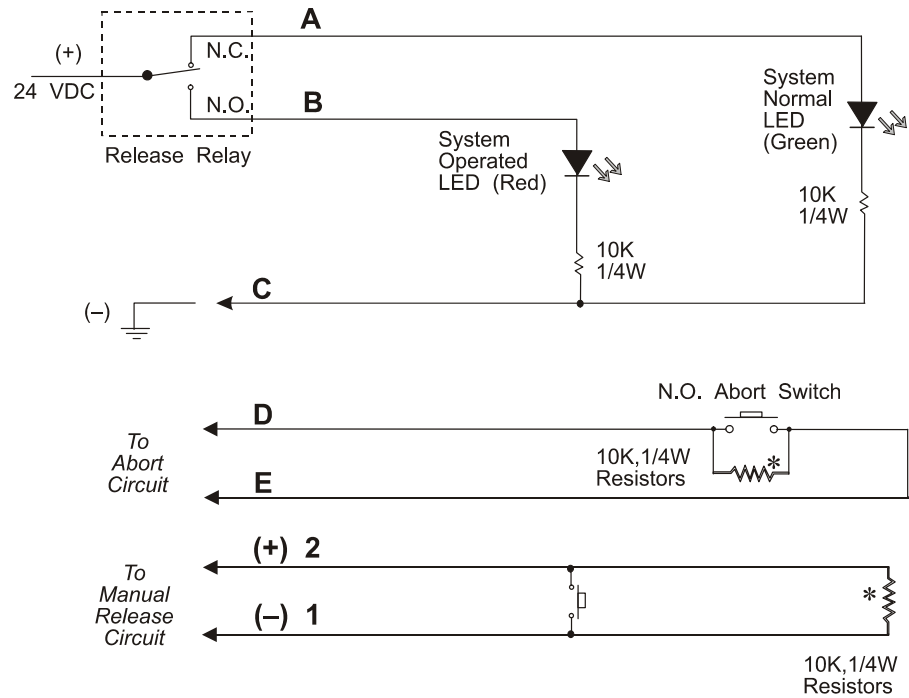


Dual Action NBG-12LR



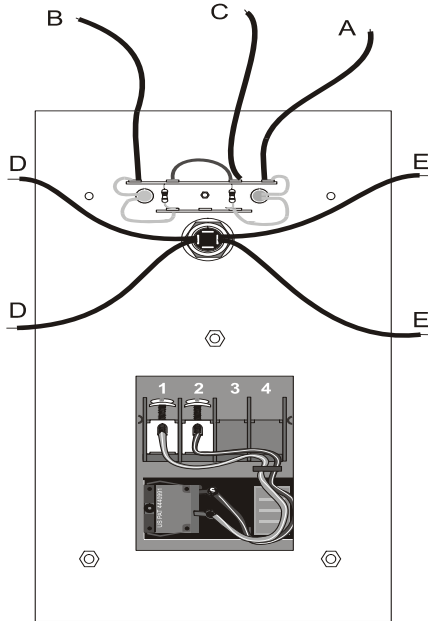
Dual Action NBG-12LR (shown activated)

Wiring



Mount End-of-Line Resistor on the last unit.

Mount 4.7K ELR on the last unit when abort switch and manual release switch are connected to control panel circuits. Mount 47K resistor on last unit when abort switch and manual release switch are connected to monitor module or control module. Refer to control panel manual for the listed ELR. Refer to the product installation documentation for connection to the control panel



NBG-12LRA (Rear view) Agent Release Pull Station

Notifier® and FlashScan® are a registered trademark of Honeywell International Inc. Bayblend® is a registered trademark of Bayer Corp. ©2010 by Honeywell International Inc. All rights reserved. Unauthorized use of this document is strictly prohibited.



This document is not intended to be used for installation purposes.
We try to keep our product information up-to-date and accurate.
We cannot cover all specific applications or anticipate all requirements.
All specifications are subject to change without notice.



For more information, contact Notifier. Phone: (203) 484-7161, FAX: (203) 484-7118.
www.notifier.com