

Features

IDNet addressable interface modules for use with Simplex® models 4010 and 4100U fire alarm control panels**

4090-9002, Individual Addressable Relay Module (Relay IAM):

- A single addressable point provides control and status tracking of a Form “C” contact
- Low power latching relay design allows IDNet communications to supply both data and module power

Compact, sealed construction:

- Enclosed design minimizes dust infiltration
- Mounts in standard 4” square electrical box
- Screw terminals for wiring connections
- Visible LED flashes to indicate communications
- Optional covers are available to allow LED to be viewed after installation

UL listed to Standard 864

Description

IDNet Relay IAMs allow fire alarm control panels to control a remotely located Form “C” contact using IDNet addressable communications for both data and module power. Typical applications would be for switching local power for control functions such as elevator capture, or control of HVAC components, pressurization fans, dampers, etc. Relay status is also communicated requiring only one device address.

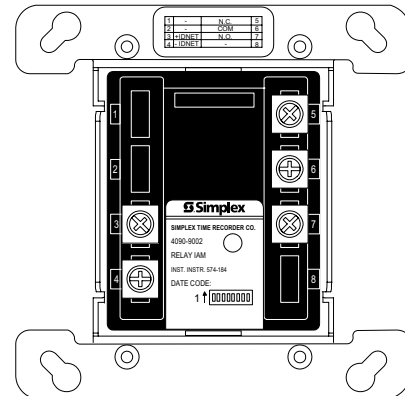
Product Selection

| Model | Description |
|-----------|-------------|
| 4090-9002 | Relay IAM |

Optional Trim Plates

| Model | Description | |
|-----------|---|----------------------------|
| 4090-9801 | Trim plate with LED viewing window, includes mounting screws; | For semi-flush mounted box |
| 4090-9802 | galvanized steel | For surface mounted box |

* This product has been approved by the California State Fire Marshal (CSFM) pursuant to Section 13144.1 of the California Health and Safety Code. See CSFM Listing 7300-0026:223 for allowable values and/or conditions concerning material presented in this document. It is subject to re-examination, revision, and possible cancellation. Accepted for use – City of New York Department of Buildings – MEA35-93E. Additional listings may be applicable; contact your local Simplex product supplier for the latest status. Listings and approvals under Simplex Time Recorder Co. are the property of Tyco Safety Products Westminster.



4090 Series IDNet Relay IAM Package
(shown approximately 1/2 size)

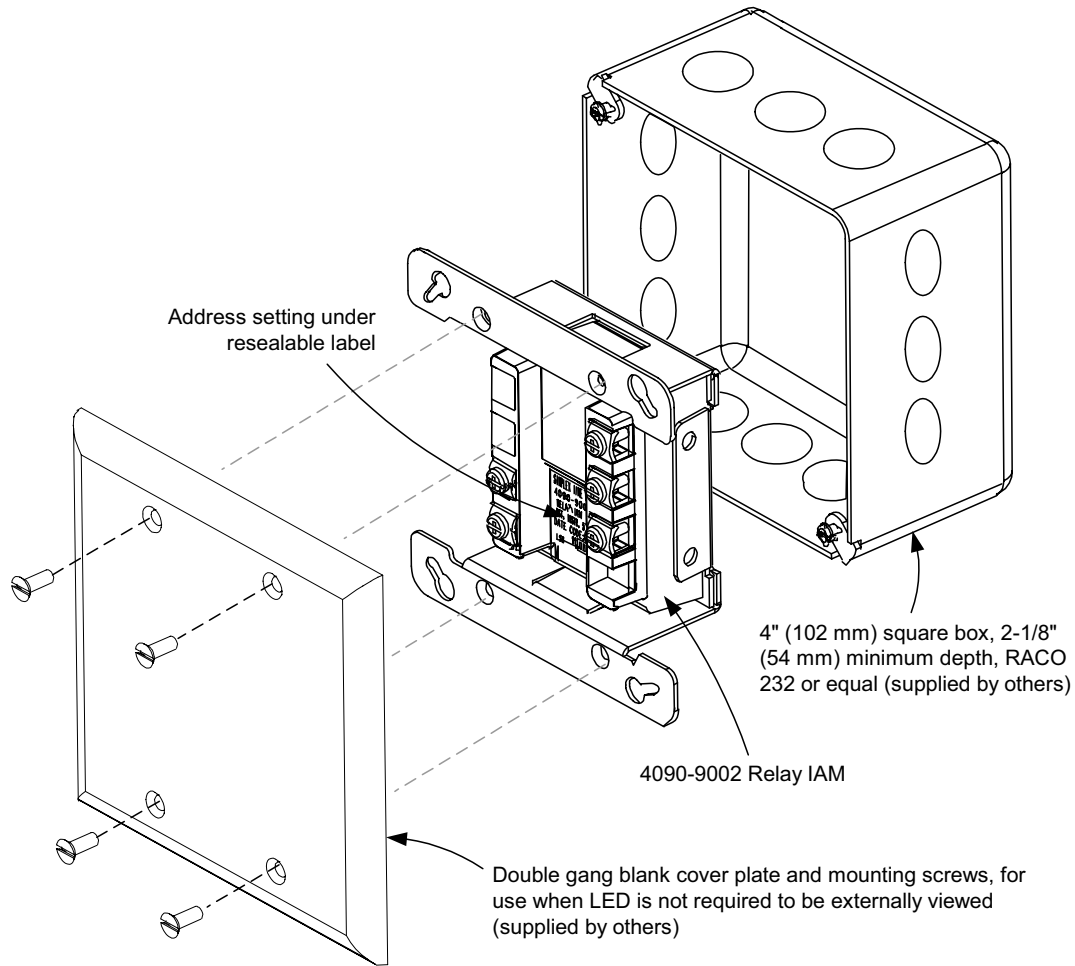
Specifications

(Refer to Installation Instructions 574-184 for additional information.)

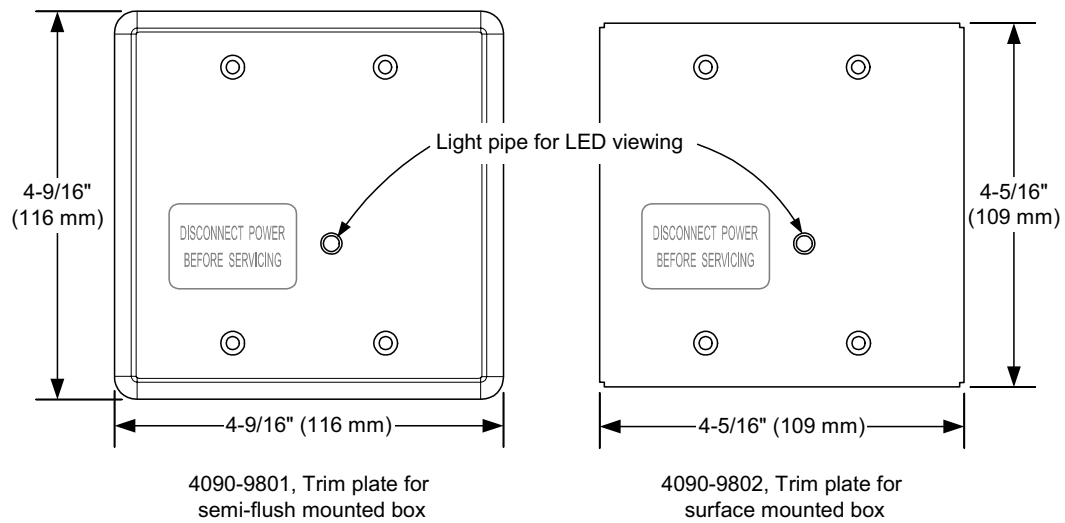
| | |
|-------------------------|--|
| Communications | 4010 or 4100U IDNet, 1 address per device |
| Relay IAM Power | Supplied by IDNet communications |
| Contact Ratings | Type Form C, SPDT |
| | Power-Limited 2 A @ 24 VDC, for transient suppressed loads |
| | Nonpower-Limited 1 A @ 24 VDC for inductive loads |
| Wire Connections | 1/2 A @ 120 VAC, for transient suppressed loads |
| | Screw terminals for in/out wiring, 18 to 14 AWG wire (0.82 to 2.08 mm ²) |
| IDNet Wiring Reference | Up to 2500 ft (762 m) from fire alarm control panel |
| | Up to 10,000 ft (3048 m) total wiring distance (including T-Taps) Compatible with Simplex 2081-9044 Overvoltage Protectors |
| Dimensions | 4-1/8" H x 4-1/8" W x 1-3/8" D (105 mm x 105 mm x 35 mm) |
| Housing Material | Black thermoplastic |
| Mounting Plate Material | Sheet metal, galvanized |
| Temperature Range | 32° to 120° F (0° to 49° C), intended for indoor operation |
| Humidity Range | Up to 93% RH at 100° F (38° C) |

** IDNet addressable communications are protected by U.S. Patent No. 4,796,025.

Relay IAM Mounting Information



Mounting Reference, Double Gang Blank Cover Plate



Optional Trim Plates for Visible LED

Tyco, Simplex, the Simplex logo, and IDNet are trademarks of Tyco International AG or its affiliates in the U.S. and/or other countries.



Tyco Safety Products Westminister • Westminister, MA • 01441-0001 • USA
www.tycosafetyproducts-usa-wm.com

S4090-0002-6 2/2004

© 2004 Tyco Safety Products Westminister. All rights reserved. All specifications and other information shown were current as of document revision date and are subject to change without notice.