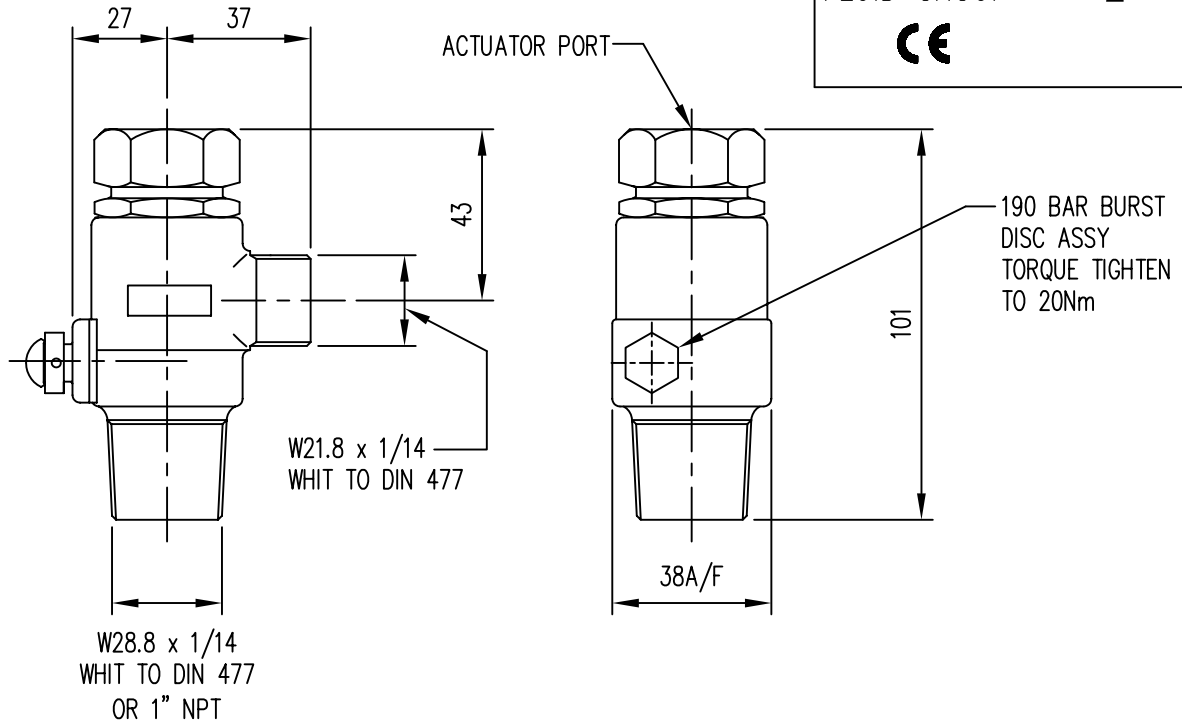


PRODUCT DATA SHEET

DIMENSIONS IN mm © 2003

SAP Part No. SEE TABLE	Title Q.A. CO2 CYLINDER VALVE - 190 BAR	Issue	Description	Date
Old Part No. P30066etc		1	ISSUED	15.02.02
Data Sheet No. 01-1065-03		2	REVISED	01.10.02
		3	ADDRESS MOD	30.09.03
		PED CATEGORY IV		
		FLUID GROUP 2		
		CE		



SAP PART No.	OLD PART No.	TITLE
200745.0-024	P30066000	Q.A. VALVE, W28.8 x 1/14" TO DIN 477
303095.0-024	P30066500	Q.A. VALVE, 1" N.P.T
303093.0-024	P30066100	Q.A. VALVE, 0"BOARD DISCHARGE & W28.8 x 1/14" TO DIN 477
A -	P30066600	Q.A. VALVE, 0"BOARD DISCHARGE & 1" N.P.T

THE QA CO2 CYLINDER VALVE IS USED IN CO2 CYLINDER ASSEMBLIES WHERE REMOTE AND/OR MULTIPLE ACTUATION IS REQUIRED. THIS VALVE WILL NOT OPERATE WITHOUT A SEPARATE ACTUATOR (SEE DATA SHEET 01-1075-\$\$ FOR DETAILS).

MAX. WORKING PRESSURE	250 bar
MAX. BURST DISC PRESSURE	190 bar
ASSEMBLY WEIGHT	0.65 Kgs
BODY MATERIAL	BRASS, NATURAL FINISH
SYPHON TUBE THREAD	M16 x 1 (DIN477 VALVE), 3/4" x 20TPI WHIT (1"NPT VALVE)
BURST DISC WASHER Pt. No.	200761.0-024
BURST DISC Pt No.	200760.0-024
NOMINAL FLOW RATE	1.3 Kg/sec @ 15°C
EQUIVALENT LENGTH	24.4m OF 1/2" NB SCH 80 STEEL PIPE INCL 1.4m OF SYPHON TUBE

\$\$ = Latest Issue of Data Sht.

Data Sheet No.	Sheet 1
01-1065-03	of 3

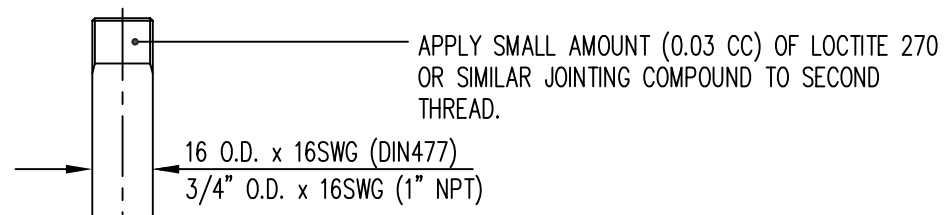
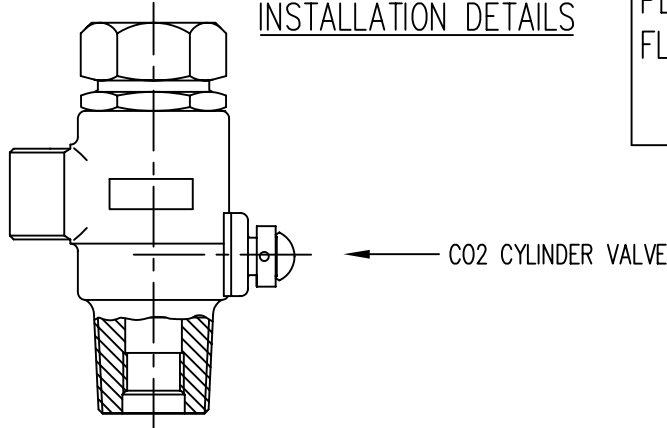
PRODUCT DATA SHEET

DIMENSIONS IN mm © 2003

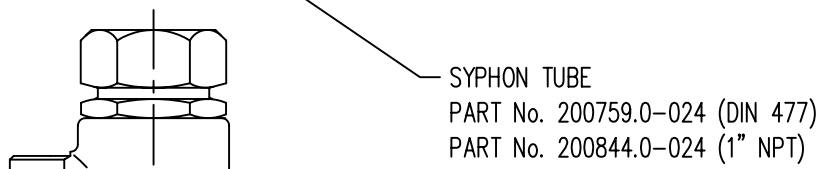
SAP Part No. SEE TABLE	Title Q.A. CO2 CYLINDER VALVE - 190 BAR	Issue	Description	Date
Old Part No. P30066etc		1	ISSUED	15.02.02
Data Sheet No. 01-1065-03		2	REVISED	01.10.02
		3	ADDRESS MOD	30.09.03

PED CATEGORY **IV**
 FLUID GROUP **2**

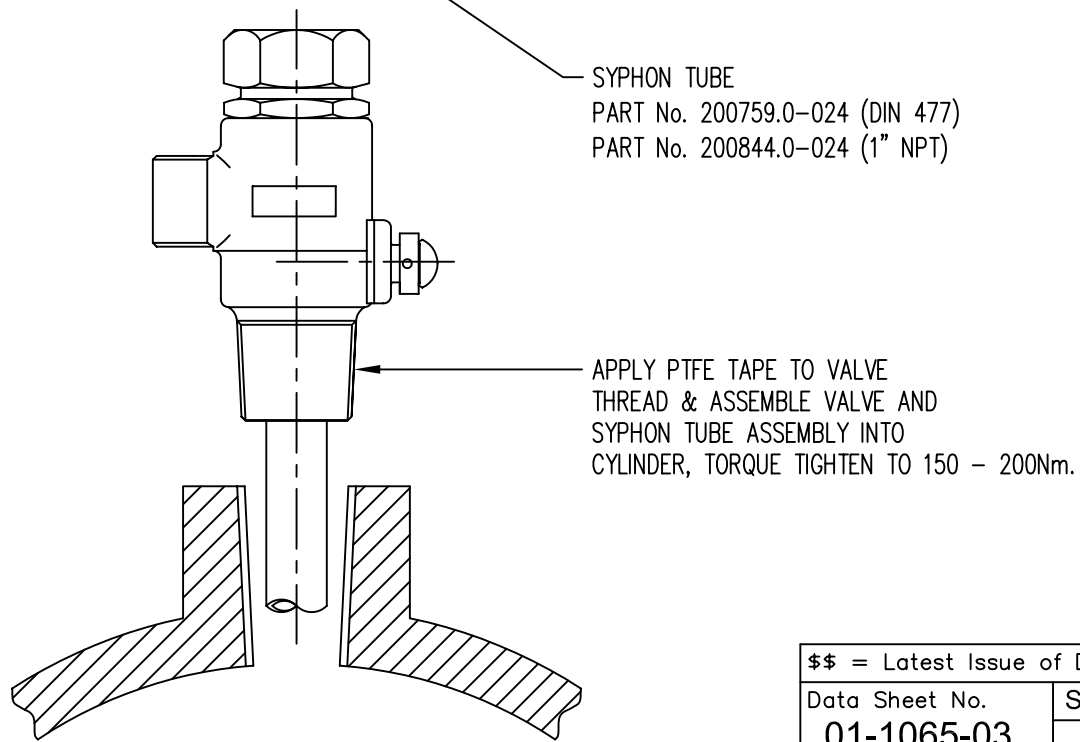

INSTALLATION DETAILS



APPLY SMALL AMOUNT (0.03 CC) OF LOCTITE 270 OR SIMILAR JOINTING COMPOUND TO SECOND THREAD.



SYPHON TUBE
 PART No. 200759.0-024 (DIN 477)
 PART No. 200844.0-024 (1" NPT)



APPLY PTFE TAPE TO VALVE THREAD & ASSEMBLE VALVE AND SYPHON TUBE ASSEMBLY INTO CYLINDER, TORQUE TIGHTEN TO 150 - 200Nm.

\$\$ = Latest Issue of Data Sht.	
Data Sheet No. 01-1065-03	Sheet 2 of 3

PRODUCT DATA SHEET

DIMENSIONS IN mm © 2003

SAP Part No. SEE TABLE	Title Q.A. CO2 CYLINDER VALVE - 190 BAR	Issue	Description	Date
Old Part No. P30066etc		1	ISSUED	15.02.02
Data Sheet No. 01-1065-03		2	REVISED	01.10.02
		3	ADDRESS MOD	30.09.03

PED CATEGORY	IV
FLUID GROUP	2
CE	

MAINTENANCE

MAINTAIN IN ACCORDANCE WITH BS 5306-4
REPLACEMENT OF SEALS/SEAT IS NOT POSSIBLE

WARNINGS

PROTECT THE VALVE FROM IMPACT AT ALL TIMES.

PROTECT THE VALVE FROM INGRESS OF DEBRIS AT ALL TIMES.

DO NOT ATTEMPT TO REMOVE OR REPLACE ANY PART OF THE VALVE ASSEMBLY, OTHER THAN THE BURST DISC COMPONENTS.

THIS VALVE IS NOT SUITABLE FOR RE-USE, ONCE REMOVED FROM A CYLINDER THE VALVE MUST BE SCRAPPED.

DO NOT MODIFY THIS PART IN ANY WAY.

DO NOT ATTEMPT TO USE THIS PRODUCT FOR ANY OTHER PURPOSE OTHER THAN AS A PART OF A CO2 FIXED FIRE EXTINGUISHING SYSTEM.

\$\$ = Latest Issue of Data Sht.

Data Sheet No. 01-1065-03	Sheet 3 of 3
-------------------------------------	-----------------