

**PRESSURE RESTRICTING ANGLE VALVE 175LB. RATED
FIELD ADJUSTABLE**



Figure No.
5050-5055

**Fire Department Valves
FEMALE X MALE**

STANDARD EQUIPMENT: Female NPT inlet X Male Hose thread outlet cast brass valve with wheel handle.



Figure No.
5060-5062

**Fire Hose Rack Assembly Valves
DOUBLE FEMALE**

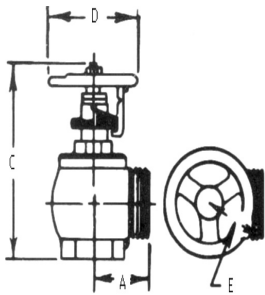
STANDARD EQUIPMENT: Female NPT inlet and outlet cast brass valve with wheel handle.

**SPECIFY
THREAD**

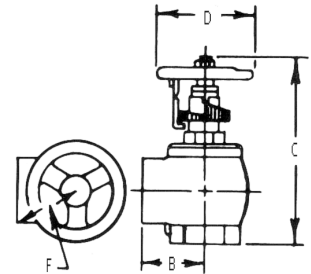
OPTIONAL FINISHES:

- PB - Polished Brass
- RC - Rough Chrome Plated
- PC - Polished Chrome Plated
- U/L LISTED

NY BSA/MEA APPROVED



| | Female X Male | | Female X Female | |
|------------|---------------|---------|-----------------|---------|
| Figure No. | 5050 | 5055 | 5060 | 5062 |
| Size | 1 1/2" | 2 1/2" | 1 1/2" | 2 1/2" |
| A | 2 7/32 | 3 7/32 | N/A | N/A |
| B | N/A | N/A | 2 11/64 | 3 3/16 |
| C-Closed | 6 13/16 | 9 1/2 | 6 13/16 | 9 17/32 |
| C-Open | 7 27/32 | 11 3/8 | 7 27/32 | 11 3/8 |
| D | 3 3/4 | 5 | 3 3/4 | 5 |
| E | 2 7/16 | 3 19/32 | N/A | N/A |
| F | N/A | N/A | 2 13/32 | 3 17/32 |



**PRESSURE RESTRICTING ANGLE VALVE 175LB. RATED
FIELD ADJUSTABLE**



Figure No.
5064-5066

**Fire Department Valves
FEMALE X MALE**

STANDARD EQUIPMENT: Female NPT inlet X Male Hose thread outlet cast brass valve with wheel handle.



Figure No.
5068-5070

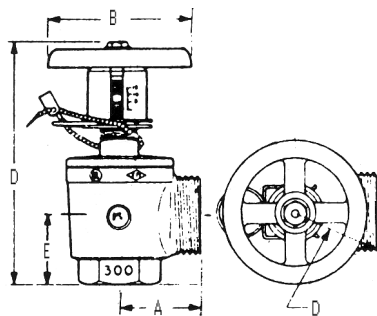
**Fire Hose Rack Assembly Valves
DOUBLE FEMALE**

STANDARD EQUIPMENT: Female NPT inlet and outlet cast brass valve with wheel handle.

**SPECIFY
THREAD**

OPTIONAL FINISHES:

- PB - Polished Brass
- RC - Rough Chrome Plated
- PC - Polished Chrome Plated
- U/L LISTED AND FM APPROVED



| | 5064 | 5066 |
|------------|---------|---------|
| Figure No. | 5068 | 5070 |
| Size | 1 1/2" | 2 1/2" |
| A | 2 9/64 | 3 5/16 |
| B | 2 17/64 | 3 |
| C-Closed | 6 1/2 | 8 3/4 |
| C-Open | 7 3/32 | 9 31/32 |
| D | 4 1/64 | 5 1/8 |
| E | 2 3/8 | 3 11/16 |

