

HYFLO

FIRE PROTECTION

HYF-333-BF 300PSI Grooved-End Butterfly Valve

Application: Fire Protection/Air-condition/Plumping

Approved Gear Operator for both Indoor or Outdoor use

NSF Certified Polyimide Coated Ductile Iron Body for Excellent Protection

Elastomer Encapsulated Disc with Outstanding Flow Characteristics

Extended Neck

Low Torque Operation

Options of Double Internal Supervisory Switches

UL listed – FM approved

MATERIAL SPECIFICATIONS

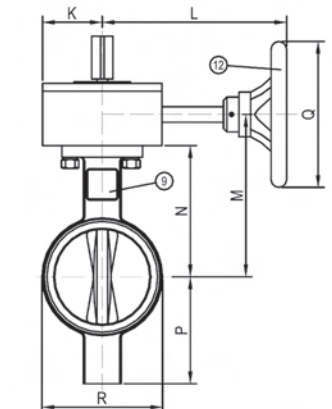
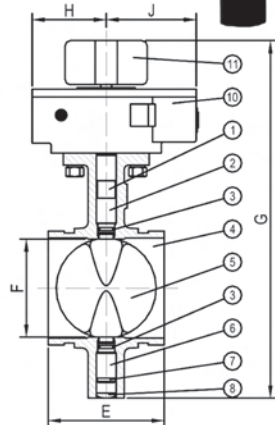
No.	PART	SPECIFICATION
1	Upper Stem	Stainless Steel ASTM A 276 Type 420
2	Upper Bearing	PTFE Bronze Sintered on Steel
3	O-Ring	EPDM
4	Body	Ductile Iron ASTM A 536, Polyimide Coated
5	Disc	Ductile Iron ASTM A 536 with EPDM Encapsulation
6	Lower Bearing	PTFE Bronze Sintered on Steel
7	Lower Stem	Stainless Steel ASTM A 276 Type 420
8	Dust Plug	PVC
9	Name Plate	Stainless Steel
10	Gear Operator	Cast Iron and Steel
11	Indicator Flag	Cast Iron
12	Handwheel	Cast Iron

DIMENSION

Size	OD	E	F	G	H	J	K							
In.	mm	In.	mm	In.	mm	In.	mm							
2 1/2	65	73.0	3.85	98	2.40	61	11.22	285	2.91	74	3.54	90	2.13	54
3OD	65	76.1	3.85	98	2.40	61	11.22	285	2.91	74	3.54	90	2.13	54
3	80	88.9	3.85	98	2.87	73	12.20	310	2.91	74	3.54	90	2.13	54
4	100	114.3	4.56	116	3.86	98	14.17	360	2.91	74	3.54	90	2.13	54
5 1/2 OD	125	139.7	5.86	149	4.80	122	15.35	390	2.91	74	3.54	90	2.13	54
5	125	141.3	5.86	149	4.80	122	15.35	390	2.91	74	3.54	90	2.13	54
6 1/2 OD	150	165.1	5.86	149	5.75	146	16.73	425	2.91	74	3.54	90	2.13	54
6	150	168.3	5.86	149	5.75	146	16.73	425	2.91	74	3.54	90	2.13	54
8	200	219.1	5.27	134	7.72	196	19.41	493	2.91	74	3.54	90	2.13	54
10	250	273.0	6.30	160	9.57	243	22.91	578	3.90	99	3.98	101	3.03	77

Size	L	M	N	P	Q	R	Wt.							
In.	In.	mm	In.	mm	In.	mm	Lbs.	Kg.						
7.68	195	5.27	134	3.78	96	2.95	75	5.90	150	150	3.35	85	17.6	8.0
7.68	195	5.27	134	3.78	96	2.95	75	5.90	150	150	3.35	85	18.3	8.3
7.68	195	5.63	143	4.13	105	3.54	90	5.90	150	150	3.82	97	18.9	8.6
7.68	195	6.81	173	5.31	135	4.33	110	5.90	150	150	4.88	124	23.4	10.6
7.68	195	7.32	186	5.83	148	5.00	127	5.90	150	150	6.10	155	31.3	14.2
7.68	195	7.32	186	5.83	148	5.00	127	5.90	150	150	6.10	155	31.3	14.2
7.68	195	8.00	203	6.50	165	5.71	145	5.90	150	150	7.20	183	34.8	15.8
7.68	195	8.00	203	6.50	165	5.71	145	5.90	150	150	7.20	183	35.5	16.1
8.3	204	9.53	242	8.03	204	6.89	175	9.84	250	250	9.29	236	50.5	22.9
9.49	241	11.42	290	9.65	245	8.27	210	11.80	300	300	11.38	289	88.6	40.2

HYF-333-BF



HYFLO

FIRE PROTECTION

Butterfly Valve Performance Data

Formulas for C_v Values

$$\Delta P = \frac{Q^2}{C_v^2}$$

$$Q = C_v \times \sqrt{\Delta P}$$

Where: Q = Flow rate (gallons per minute: GPM)

ΔP = Pressure drop across valve (PSI)

C_v = Flow coefficient

Nominal Size		Pipe O.D.		Cv (Full Open)	Nominal Size		Pipe O.D.		Cv (Full Open)	Nominal Size		Pipe O.D.		Cv (Full Open)
In.	mm	mm	mm		In.	mm	mm	mm		In.	mm	mm	mm	
2 1/2	65	73.0	221		5 1/2 OD	125	139.7	1200		8	200	219.1	3874	
3 OD	65	76.1	221		5	125	141.3	1200		10	250	273.0	5995	
3	80	88.9	324		6 1/2 OD	150	165.1	1934						
4	100	114.3	670		6	150	168.3	1934						

