

HYFLO

FIRE PROTECTION

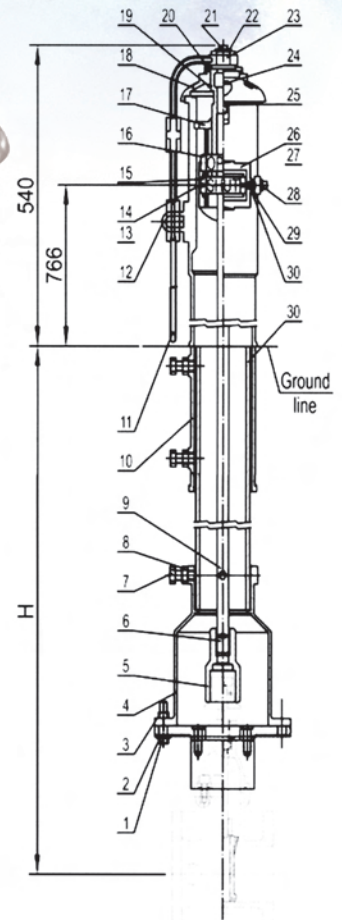
HYF-900 Adjustable UPright Post

Application: Fire Protection
For use with NRS gate valves
UL listed – FM approved

MATERIAL SPECIFICATIONS

No.	PART	SPECIFICATION
1	Hexagon Bolt	ASTM A105
2	Washer	ASTM A105
3	Hexagon Nut	ASTM A105
4	Seat	ASTM A536
5	Wrench Socket	ASTM A536
6	Cotter Pin	ASTM A105
7	Hexagon Bolt	ASTM A105
8	Hexagon Nut	ASTM A105
9	Operating Bar	ASTM A105
10	Barrel	ASTM A536
11	Wrench	ASTM A536
12	Special U-Bolt	ASTM A105
13	Slotted Pan Head Screw	ASTM A105
14	Hexagon Nut	ASTM A105
15	Target Plate (SHUT)	ZL101
16	Loading Bogie	ASTM A126B
17	Target Plate (OPEN)	ZL101
18	Bonnet	ASTM A536
19	Circlip	65Mn
20	Slatted Countersunk Flat Head Screw	ASTM A105
21	Hexagon Bolt	ASTM A105
22	Big Washer	ASTM A105
23	Operating Nut	ASTM C61400
24	T Bolt	ASTM A105
25	Square Nut	ASTM A105
26	Cover Board	PMMA
27	Gasket	Silicon Rubber
28	Plug	KT30-16
29	Hexagon Head Screw	ASTM A276
30	Washer	ASTM A105
31	Stand Pipe	ASTM A536

HYF-900



Bury Depth Dimension

Valve Size		Min.Bury Depth: H(mm)			Max Bury Depth: H(mm)		
In.	mm	701S-1A	701S-2A	701S-3A	701S-1A	701S-2A	701S-3A
4	DN100	839	1296	1499	1321	1778	2236
6	DN150	1016	1474	1931	1499	1956	3413
8	DN200	1093	1550	2007	1575	2032	2490
10	DN250	1220	1677	3134	1702	2159	2617
12	DN300	1321	1778	2236	1804	2261	2718

