

HYFLO

FIRE PROTECTION

HYF-999 Dry Barrel Fire Hydrant

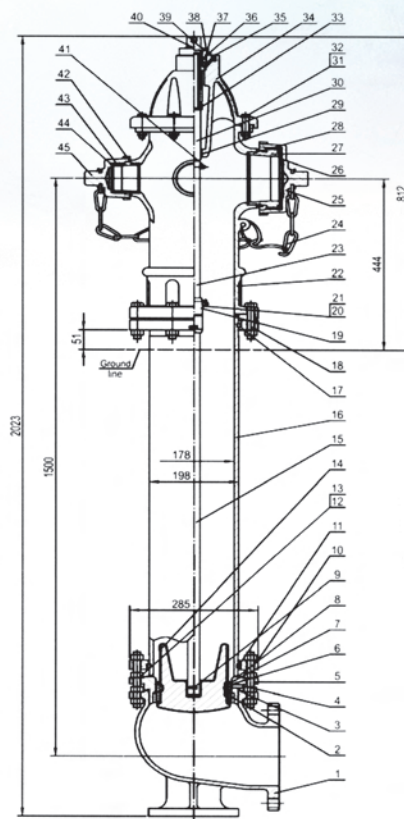
Application: Fire Protection

UL listed – FM approved

MATERIAL SPECIFICATIONS

No.	PART	SPECIFICATION
1	Hydrant Body	ASTM A536
2	Seal-ring	ASTM B584
3	O-ring	EPDM
4	Scrwed Plug	ASTM B584
5	Main Valve Flange	ASTM A536
6	O-ring	EPDM
7	Valve Seat	ASTM B584
8	Barrel Gasket	EPDM
9	Pin Axes	SS304
10	Lower Flange	ASTM A536
11	Lock Ring	SS304
12	Hex Nuts	ASTM A574
13	Stud Bolts	ASTM A574
14	Wedge	ASTM A536 with EPDM
15	Lower Stem	ASTM A574M
16	Barrel	ASTM A536
17	Breakable Flange	ASTM A536
18	Bolts	ASTM A574
19	Coupling	ASTM A536
20	Pin Axes	SS304
21	Pin	SS304
22	Drain pipe	ASTM A536
23	Up Stem	ASTM A574M
24	Link	
25	Big Nozzle Cap	ASTM A536
26	Big Sealed Gasket	EPDM
27	Big Outlet	ASTM B584
28	O-ring	EPDM
29	O-ring	ASTM B584
30	Stem	SS410
31	Hex Nuts	ASTM A574
32	Screw	ASTM A574
33	Stop Nut	45#
34	Hydrant Bonnet	ASTM A536
35	Oil Cup	
36	O-ring	EPDM
37	O-ring	EPDM
38	Bush	ASTM B16-H02 C36000
39	Dustproof Ring	EPDM
40	Stem Nut	ASTM B584
41	Pin Axes	SS304
42	O-ring	EPDM
43	Small Outlet	ASTM B584
44	Small Sealed Gasket	EPDM
45	Small Nozzle Cap	ASTM A536

HYF-999



- * Comply with AWWA C50
- * Working Pressure: 250psi
- * Working Temperature: 0° C - 60° C
- * FM Approved & UL Listed

Construction

- * Inlet: Flanged (ANSI or PN16)
- Other Types are available
- * Epoxy Coated on Red
- Other finish and color are available
- * One pumper nozzle 4" / 4 1/2" With
- Two hose nozzles 2 1/2"
- Other configurations and thread are available

Notes:

- * When ordering, please specify the Length to avoid further fabrication

